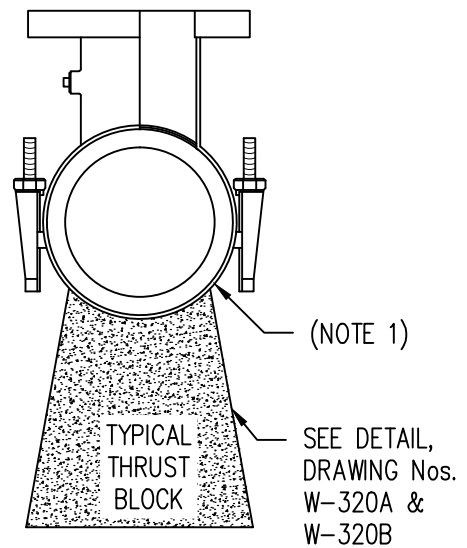


PLAN VIEW
N.T.S.



SECTION A-A'
N.T.S.

MATERIAL SPECIFICATIONS:

SHELL: 304 STAINLESS STEEL

LUGS: 304 STAINLESS STEEL

BOLTS, WASHERS, AND NUTS: NC ROLLED THREAD
304 STAINLESS STEEL, 5/8" DIAMETER

GASKETS: VIRGIN SBR COMPOUND FOR WATER
SERVICE. ASTM D2000-80MA 4AA607
FULL GASKET. 360° PIPE COVERAGE 150 PSI
WORKING PRESSURE

FLANGES: 304 STAINLESS STEEL OR HIGH TENSILE
DUCTILE (NODULAR) IRON, ASTM A536-80, GRADE
65-45-12

NOTES:

1. MATERIAL USED FOR THRUST BLOCKING SHOULD NOT PREVENT ACCESS TO THE BOLT ASSEMBLY.
2. MINIMUM DISTANCE BETWEEN SADDLE, COLLARS, JOINTS, SERVICES, TAPS, ETC. WILL BE 18" CLEAR.
3. SADDLE TO BE HYDROSTATICALLY PRESSURE TESTED TO CLASS RATING OF THE PIPE PRIOR TO TAP.
4. ALL FITTINGS TO BE POLY-WRAPPED PRIOR TO CONCRETE PLACEMENT.

DATE	REVISIONS



STANDARD DETAILS FOR PUBLIC WORKS CONSTRUCTION
DISTRIBUTION TAP

SECTION NUMBER: 300
DRAWING NUMBER: W-321
DATE: 2/21/2022