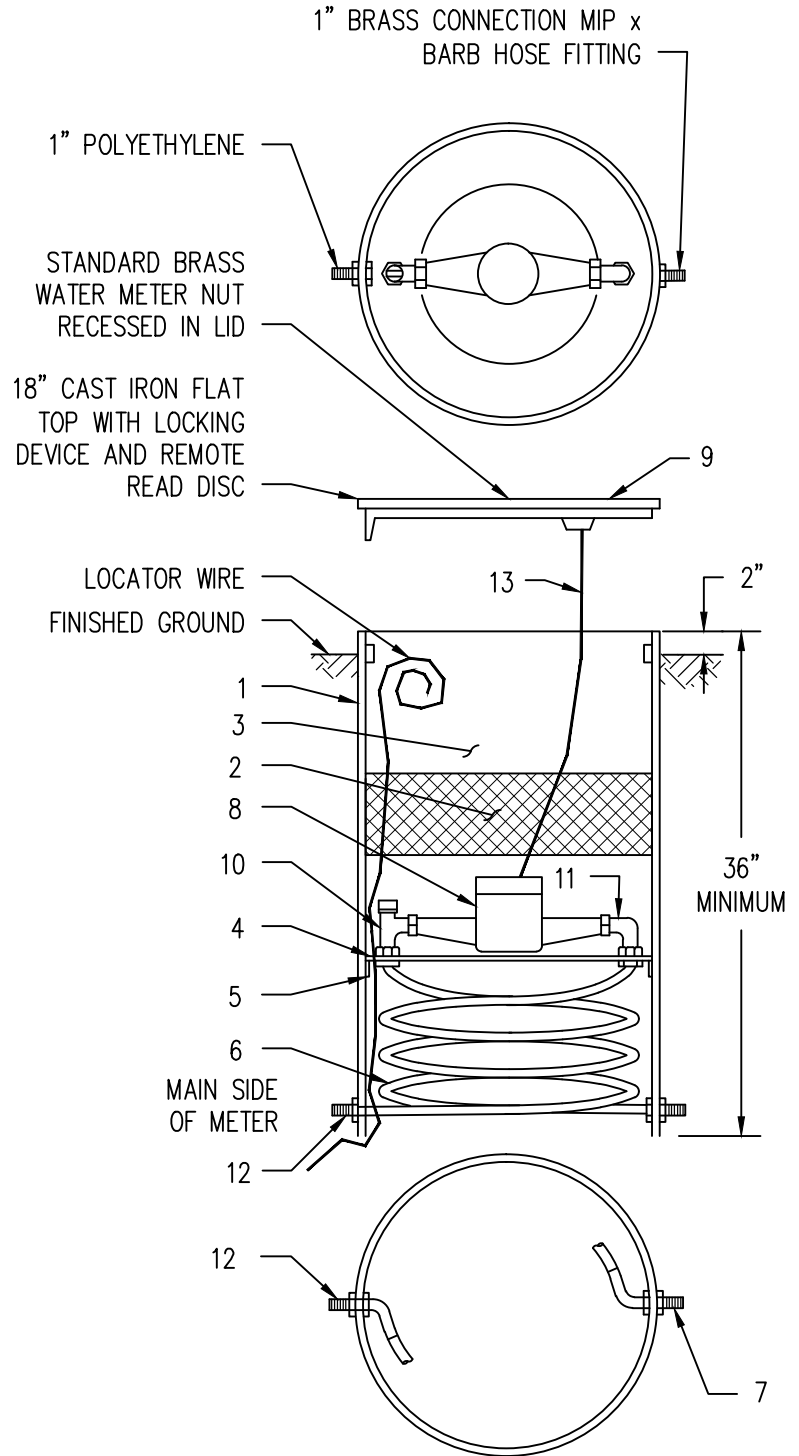


LEGEND:

1. PVC BOX, MINIMUM WALL THICKNESS 0.3"
2. STYROFOAM INSULATION
3. AIR SPACE
4. PLATFORM
5. PLATFORM SUPPORT
6. POLYBUTYLENE
7. I.P.S. THREADS
8. WATER METER, APPROVED BY THE COUNTY ENGINEER, WITH REMOTE READING DEVICE, SENSUS iPERL (ICE REGISTERS WITH FLEXNET END POINT TRANSMITTERS)
9. CAST IRON FLAT TOP WITH 1 3/4" TRANSPONDER OPENING. EPOXY COAT RECLAIM METER TOPS PURPLE
10. MUELLER VALVE, OR APPROVED EQUAL (NO. 14244)
11. MUELLER ANGLE CHECK VALVE
12. INLET LINE TO BE 1". HOSE TERMINUS TO REMAIN WITHIN 15° OF HORIZONTAL
13. REMOTE READ WIRE

NOTES:

1. SERVICE LINE, SIZE AS SHOWN, WITH COUPLING ADAPTOR
2. PIT SETTER EXTENSION SHALL ONLY BE USED UPON APPROVAL BY THE COUNTY ENGINEER



18" DIAMETER THERMAL-COIL METER BOX FOR 1" SINGLE PIT SETTER

DATE	REVISIONS



STANDARD DETAILS FOR PUBLIC WORKS CONSTRUCTION

1" METER VAULT

SECTION NUMBER: 300
DRAWING NUMBER: W-312
DATE: 2/21/2022