

FIRE HYDRANT COLOR SCHEDULE:

RENO

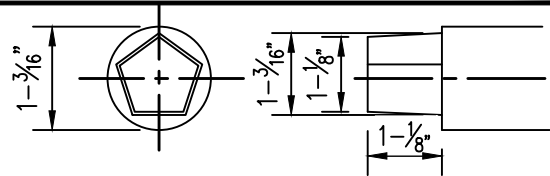
ALL HYDRANTS TO BE FACTORY ENAMELED SAFETY RED.

SPARKS

PUBLIC HYDRANTS TO BE FACTORY ENAMELED SAFETY YELLOW.
PRIVATE HYDRANTS TO BE FACTORY ENAMELED SAFETY RED.

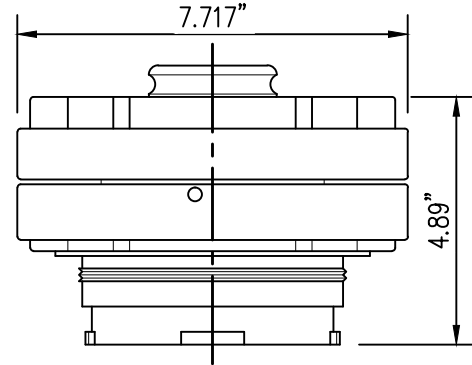
WASHOE COUNTY

PUBLIC HYDRANTS TO BE FACTORY ENAMELED SAFETY RED.
PRIVATE HYDRANTS TO BE FACTORY ENAMELED SAFETY RED WITH HIGH REFLECTIVE WHITE TOP.



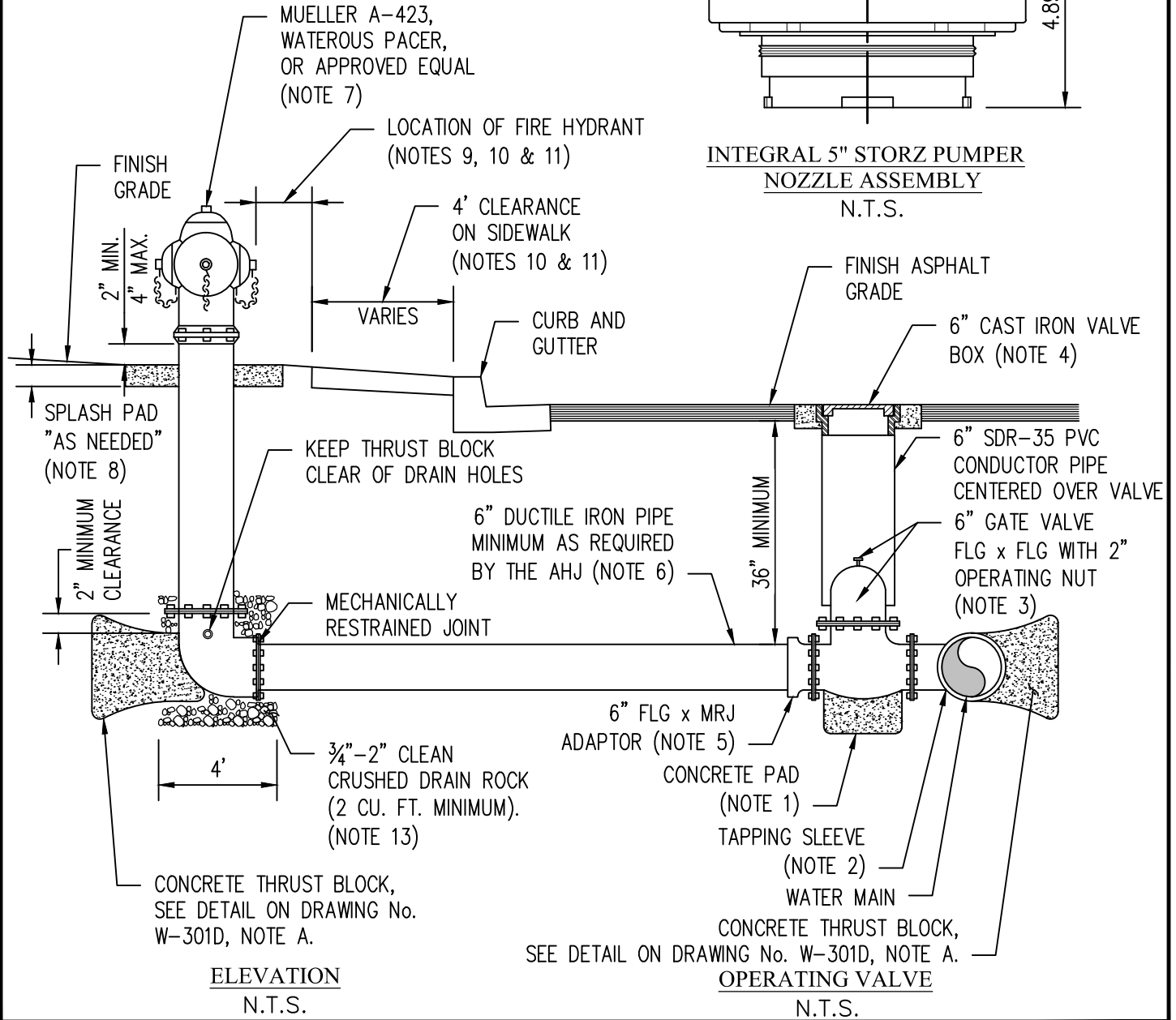
OPERATING NUT - PENTAGON

N.T.S.



INTEGRAL 5" STORZ PUMPER NOZZLE ASSEMBLY

N.T.S.



ELEVATION

N.T.S.

SEE DETAIL ON DRAWING No. W-301D, NOTE A.

OPERATING VALVE

N.T.S.

| DATE | REVISIONS |
|------|-----------|
| | |
| | |
| | |
| | |



STANDARD DETAILS FOR PUBLIC WORKS CONSTRUCTION

FIRE HYDRANT

| | |
|-----------------|------------------|
| SECTION NUMBER: | 300 |
| DRAWING NUMBER: | W-301A |
| DATE: | 2/21/2022 |