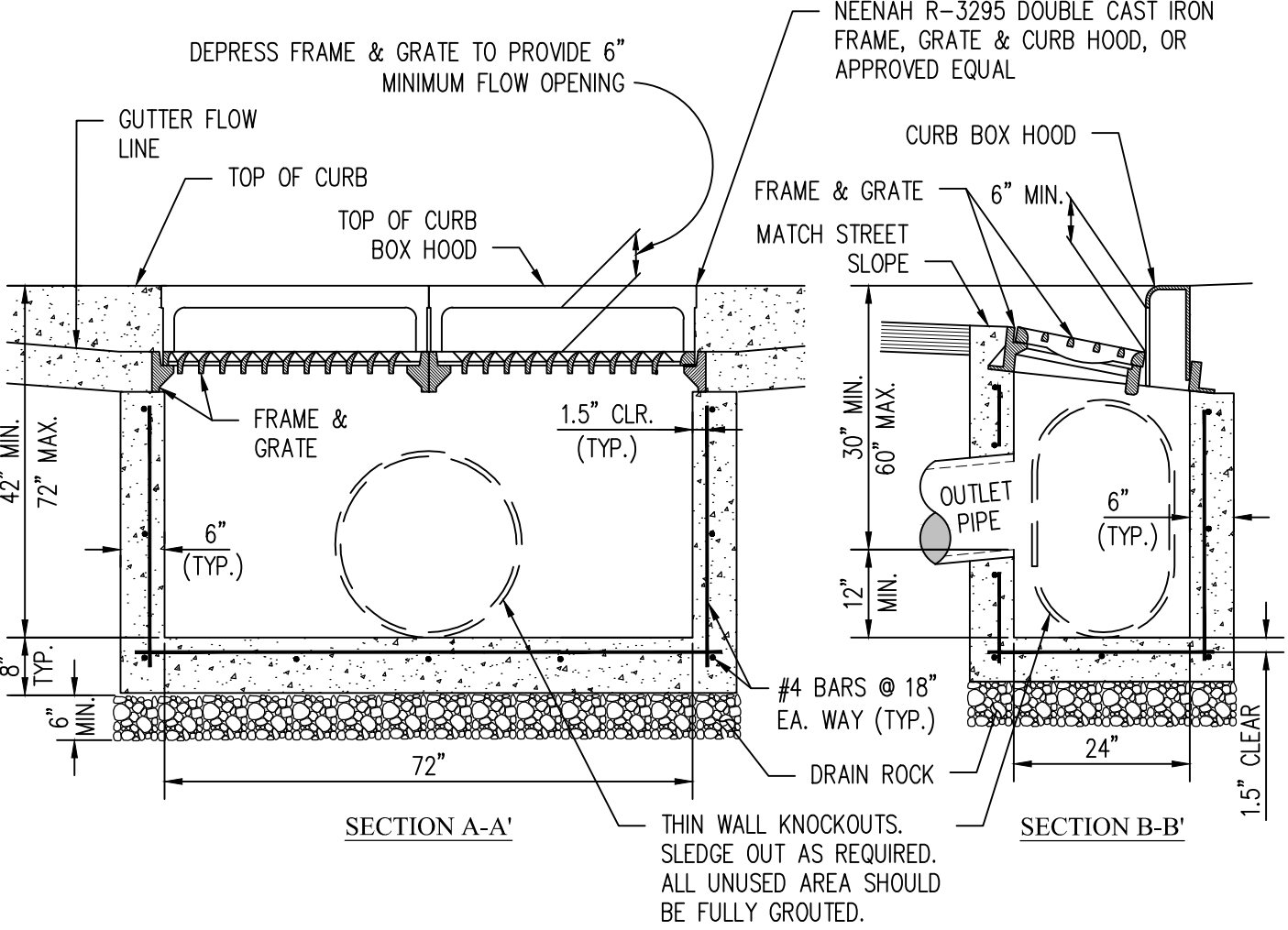


PLAN



DATE	REVISIONS



STANDARD DETAILS FOR PUBLIC WORKS CONSTRUCTION

CATCH BASIN  
DUAL TYPE 4-R

SECTION NUMBER: <b>200</b>
DRAWING NUMBER: <b>W-214</b>
DATE: <b>2/01/2022</b>