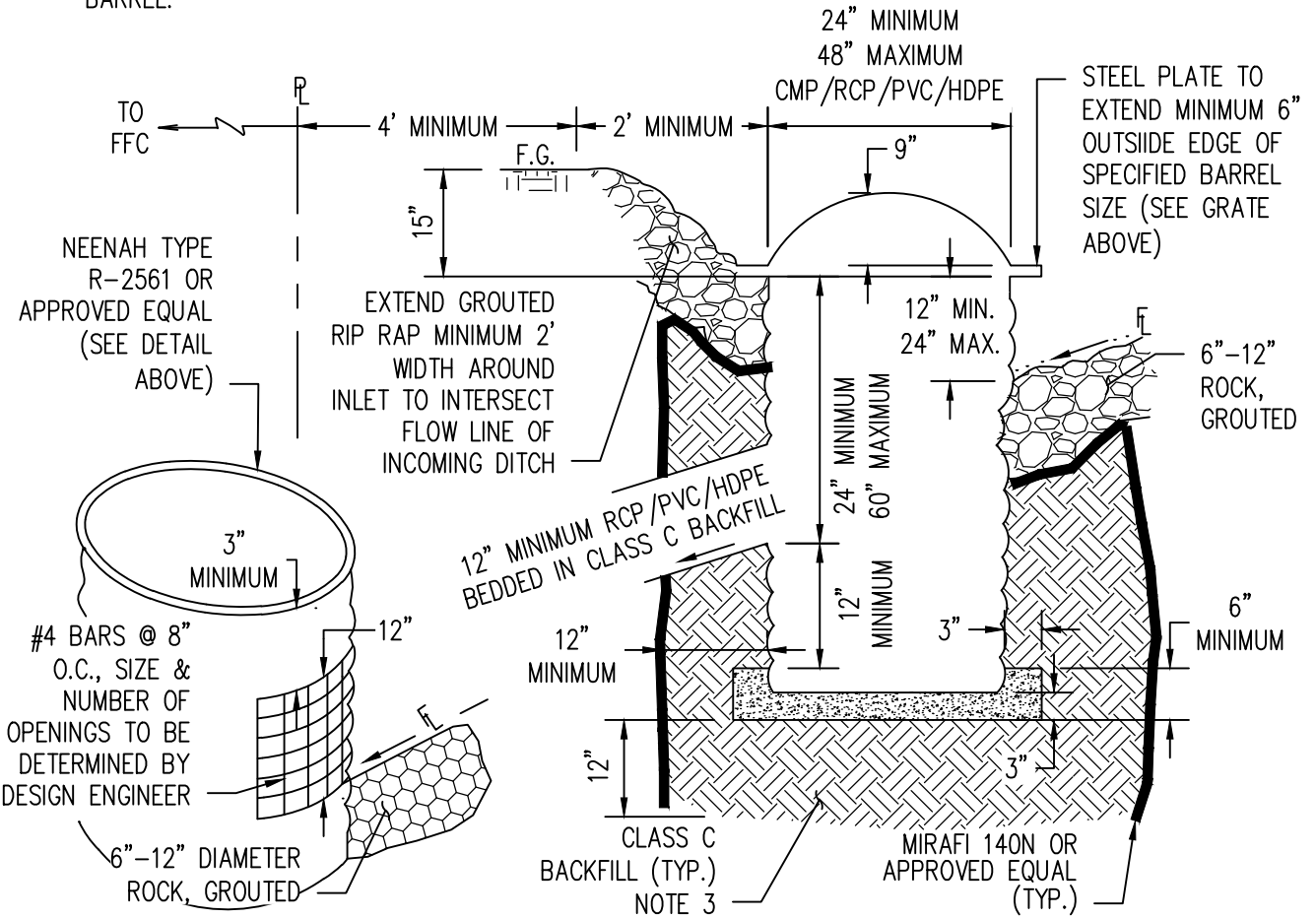


R2561 HIGH NEENAH BEEHIVE GRATE, OR APPROVED EQUAL
N.T.S.

NOTES:

1. OUTLET PIPE AND BARREL SIZES TO BE DETERMINED BY ENGINEER. NOT FOR USE WITHIN ROADWAY SECTION.
2. OUTLET PIPE SHALL BE BEDDED IN CLASS C BACKFILL.
3. IN AREAS OF FINE GRAINED OR EXPANSIVE SOILS, CLASS C BACKFILL SHALL BE AT 24" BELOW BOTTOM OF BARREL.



DATE	REVISIONS



STANDARD DETAILS FOR PUBLIC WORKS CONSTRUCTION

DROP INLET TYPE 1A

SECTION NUMBER: 200
DRAWING NUMBER: W-211
DATE: 2/21/2022