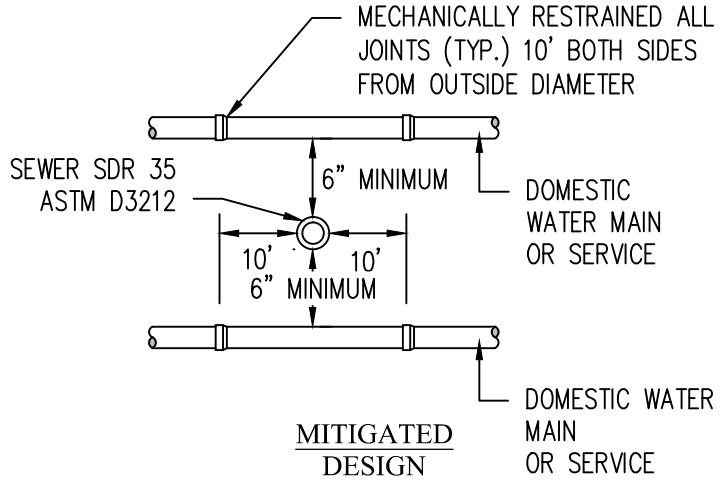


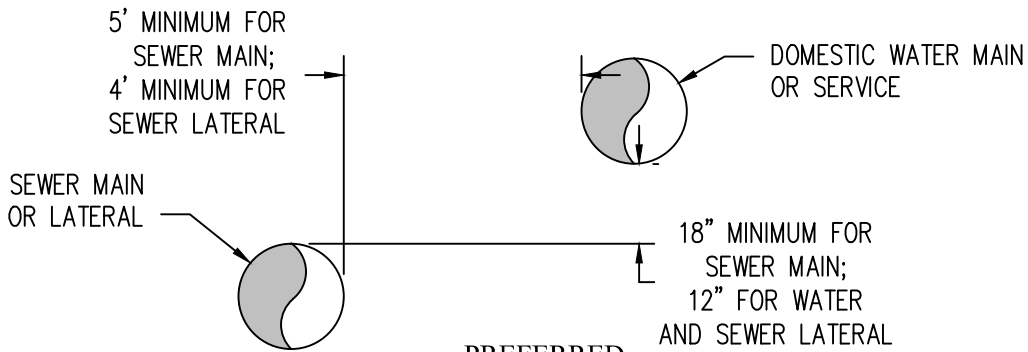
18" MINIMUM FOR SEWER MAIN;
12" FOR WATER AND SEWER LATERAL

PREFERRED

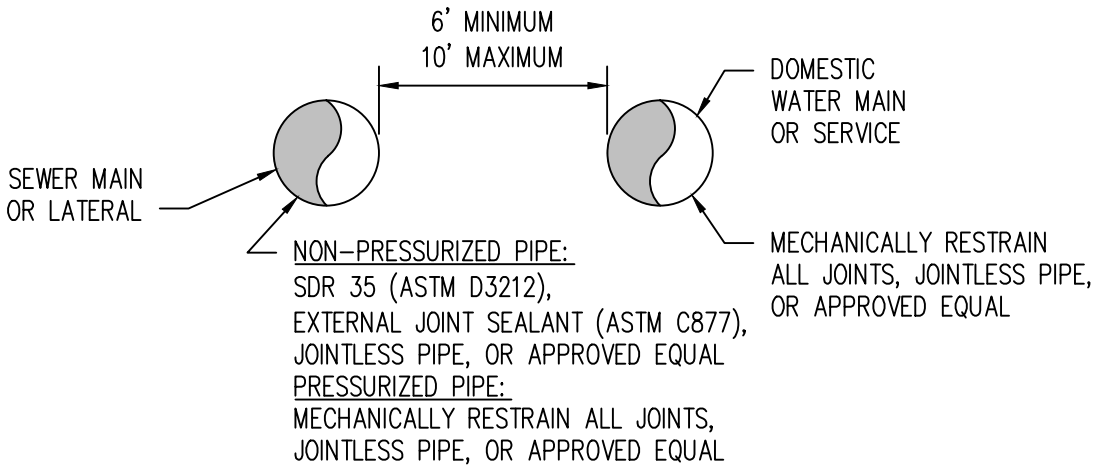


WATER CROSSING
N.T.S.

MITIGATED DESIGN



PREFERRED



MITIGATED DESIGN

DOMESTIC WATER PARALLEL SEPARATIONS
N.T.S.

DATE	REVISIONS



STANDARD DETAILS FOR PUBLIC WORKS CONSTRUCTION
WATER & SEWER SEPARATIONS

SECTION NUMBER: 200
DRAWING NUMBER: W-206A
DATE: 2/21/2022