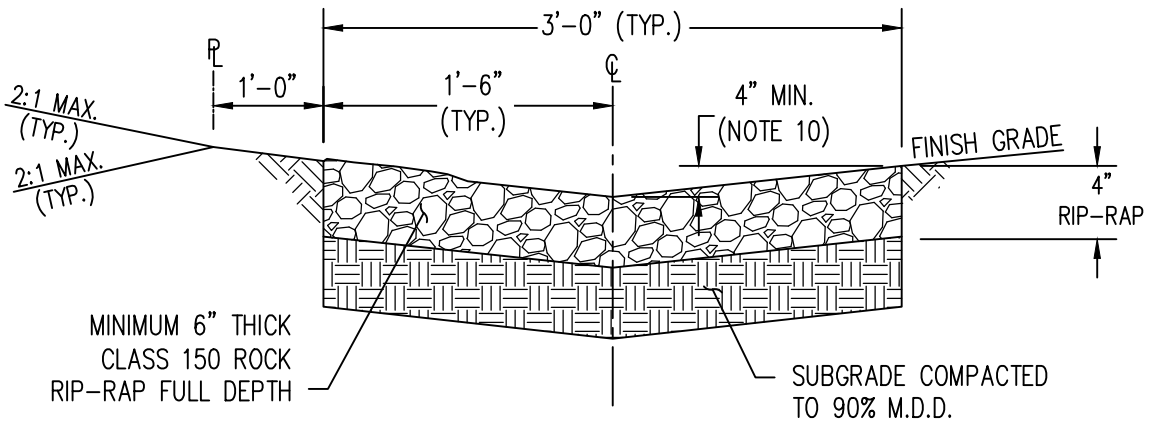


**DETAIL "A"**  
N.T.S.

MINIMUM 6" PORTLAND CEMENT CONCRETE (P.C.C.) PAVEMENT WITH MINIMUM 6.25 SACKS OF TYPE II CEMENT (588 LBS) PER CUBIC YARD OF CONCRETE (NOTE 2)



**DETAIL "B"**  
N.T.S.

| DATE | REVISIONS |
|------|-----------|
|      |           |
|      |           |
|      |           |
|      |           |



STANDARD DETAILS FOR PUBLIC WORKS CONSTRUCTION  
**LOT LINE DRAINAGE SWALE**  
 (PRIVATE)

|                                  |
|----------------------------------|
| SECTION NUMBER:<br><b>200</b>    |
| DRAWING NUMBER:<br><b>W-202A</b> |
| DATE:<br><b>2/21/2022</b>        |