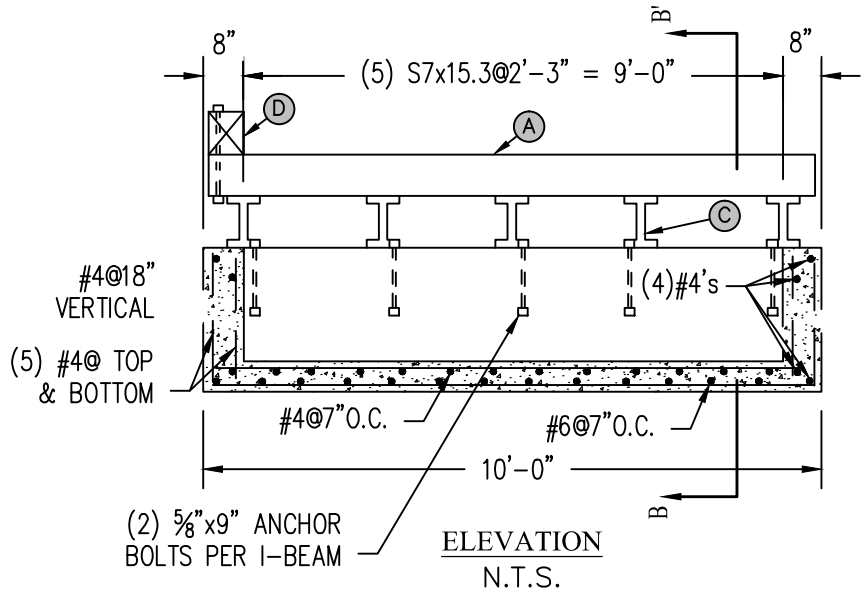


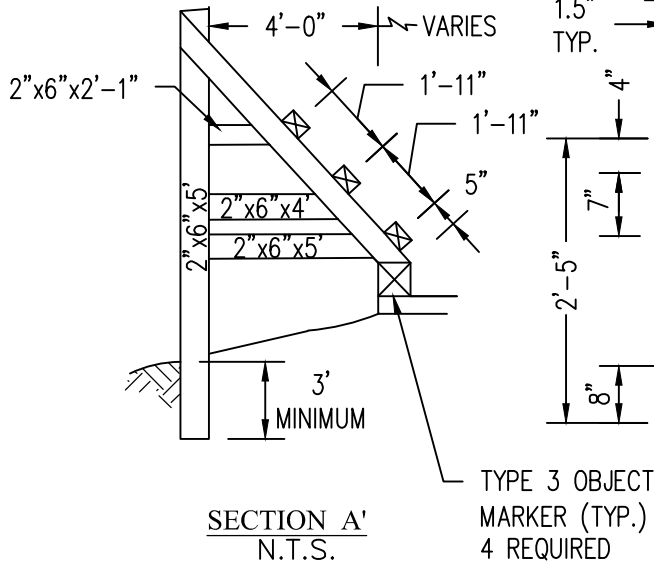
WING PLAN
N.T.S.



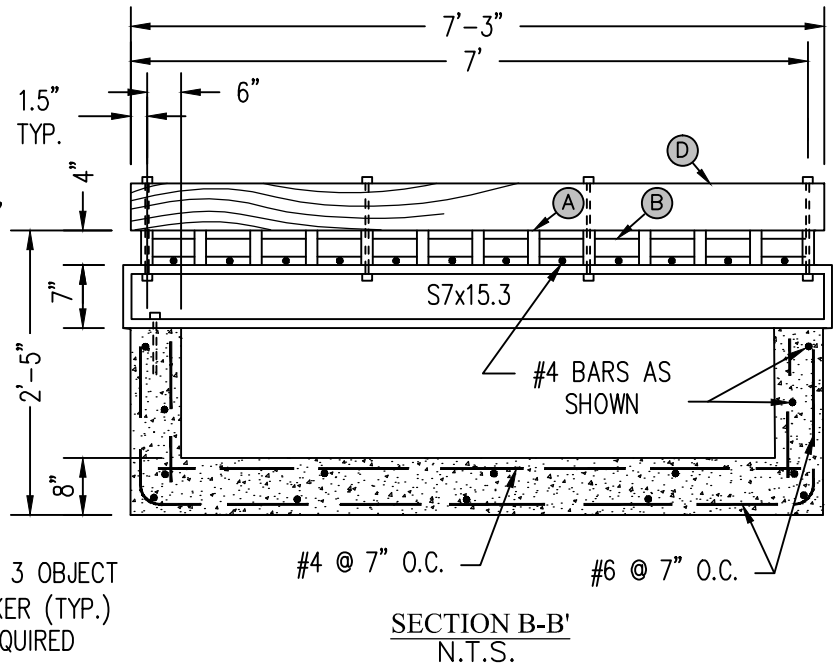
ELEVATION
N.T.S.

MATERIALS

- Ⓐ 4" x 2" x 1/4" STRUC TUBING @ 7" O.C.
- Ⓑ 5" x 2 1/2" x 5/16" P L
- Ⓒ S7x15.3 @ 2'-3" O.C.
- Ⓓ 6" x 6" x 7'-3" TIMBER



SECTION A'
N.T.S.



SECTION B-B'
N.T.S.

DATE	REVISIONS



STANDARD DETAILS FOR PUBLIC WORKS CONSTRUCTION

STEEL CATTLE GUARD

SECTION NUMBER: 100
DRAWING NUMBER: W-152A
DATE: 2/21/2022