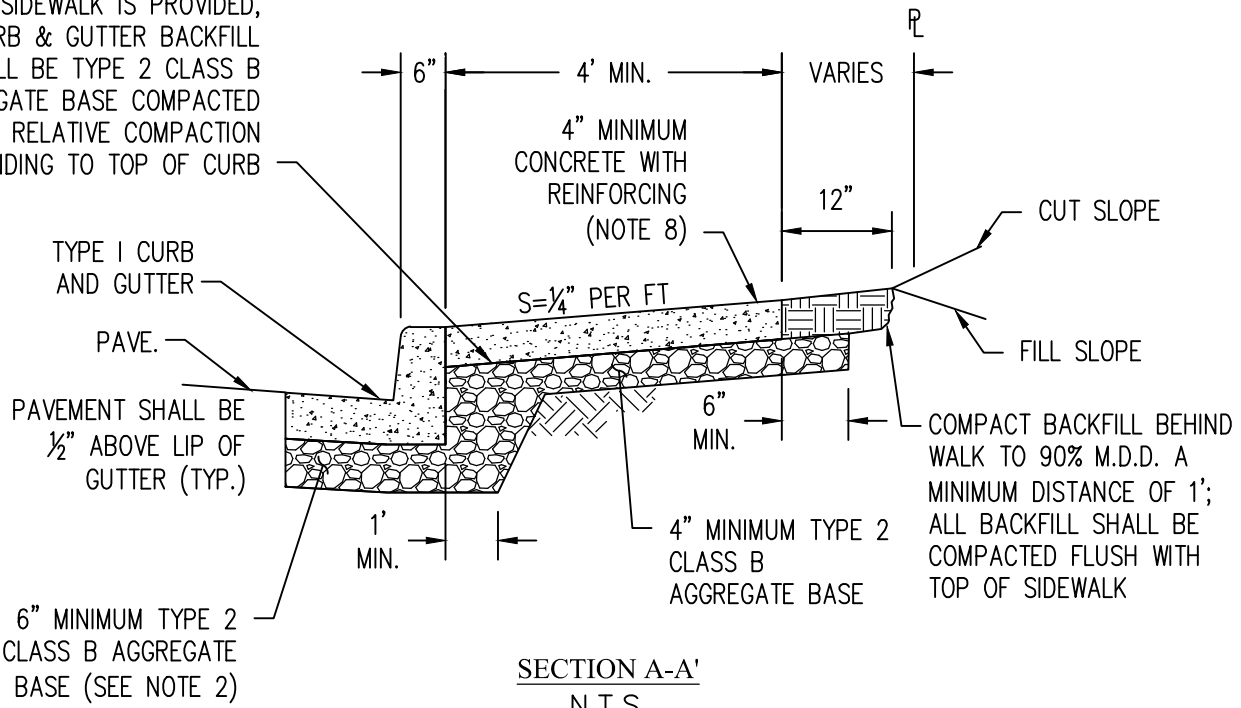


PLAN  
N.T.S.

FOR CURB & GUTTER WHERE NO SIDEWALK IS PROVIDED, CURB & GUTTER BACKFILL SHALL BE TYPE 2 CLASS B AGGREGATE BASE COMPACTED TO 90% RELATIVE COMPACTION EXTENDING TO TOP OF CURB



SECTION A-A'  
N.T.S.

DATE	REVISIONS



STANDARD DETAILS FOR PUBLIC WORKS CONSTRUCTION

P.C.C. SIDEWALK

SECTION NUMBER: <b>100</b>
DRAWING NUMBER: <b>W-132A</b>
DATE: <b>2/21/2022</b>