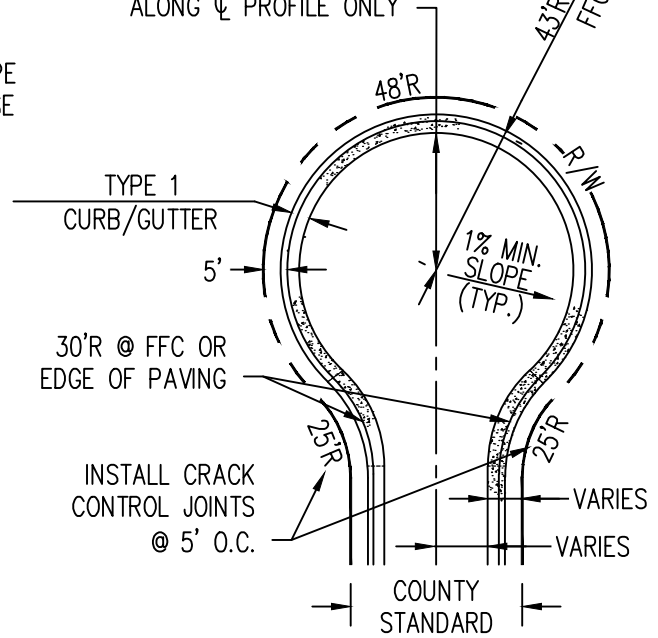


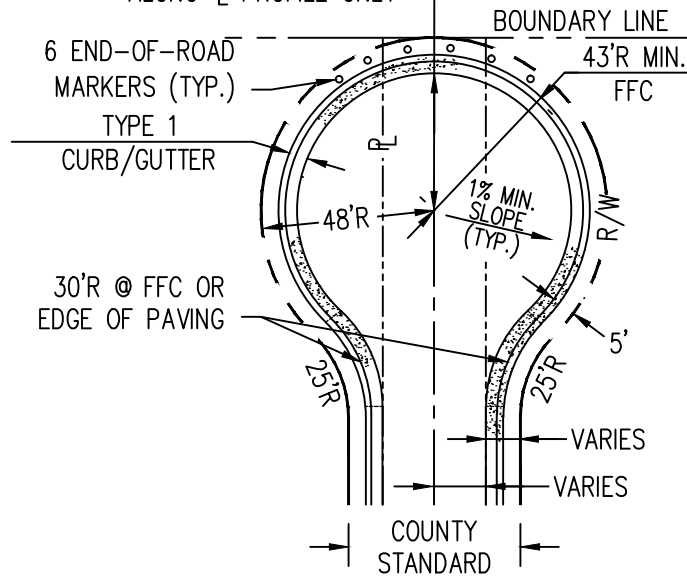
UNPAVED TEMPORARY
N.T.S.

4.0% SLOPE FROM CENTER
OF BULB TO LIP OF GUTTER
ALONG ϕ PROFILE ONLY



PAVED PERMANENT
N.T.S.

4.0% SLOPE FROM CENTER
OF BULB TO LIP OF GUTTER
ALONG ϕ PROFILE ONLY



PAVED TEMPORARY
N.T.S.

DATE	REVISIONS



STANDARD DETAILS FOR PUBLIC WORKS CONSTRUCTION

CUL-DE-SAC

SECTION NUMBER: 100
DRAWING NUMBER: W-111A
DATE: 2/21/2022